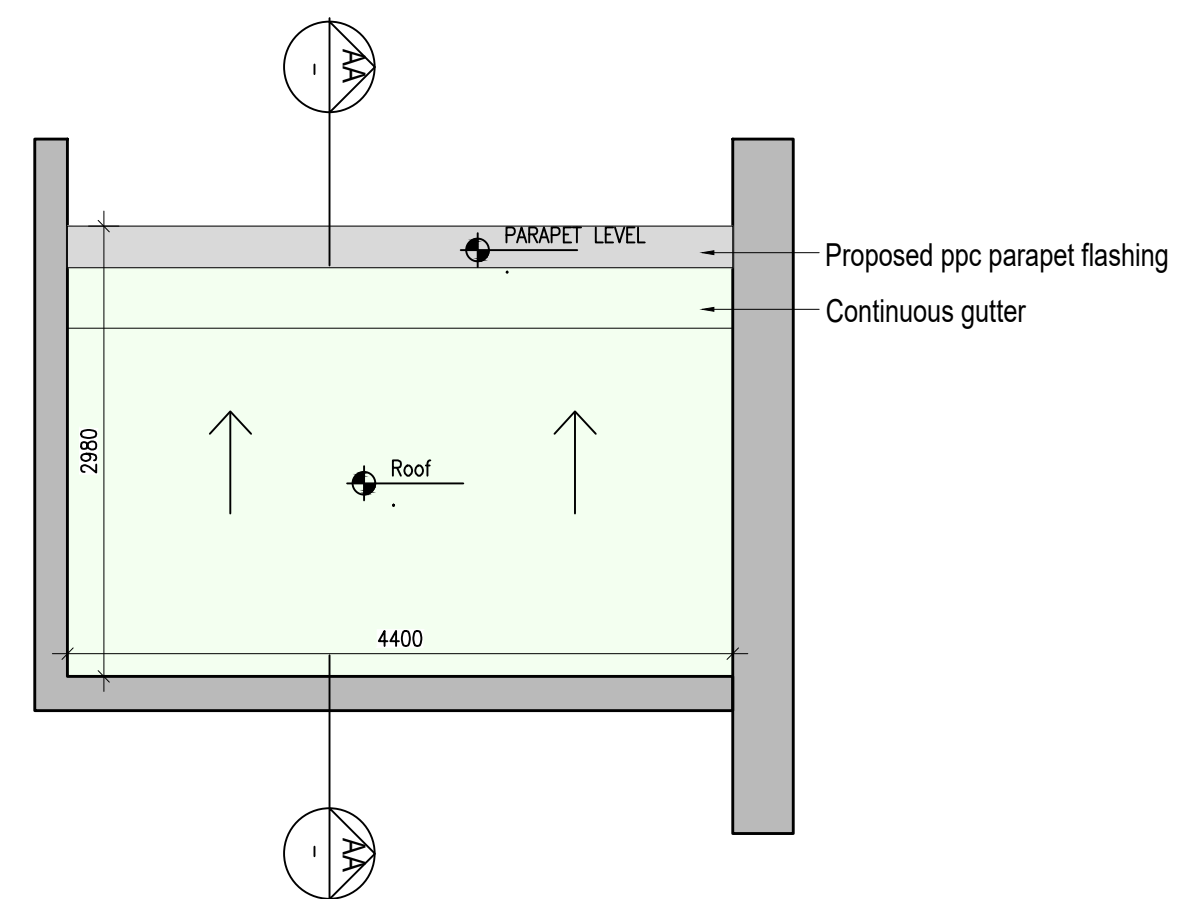
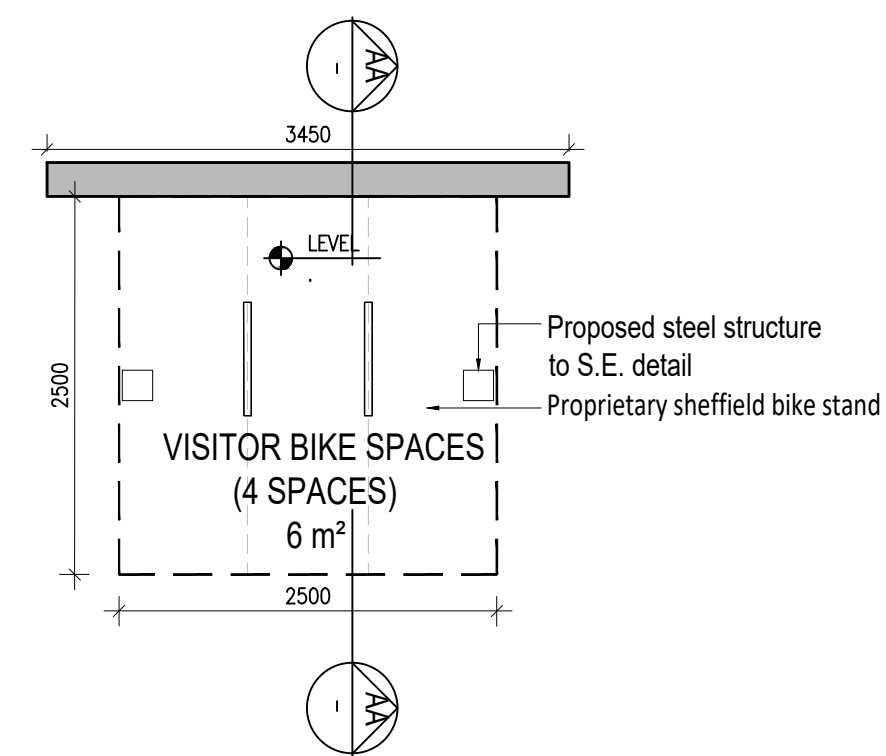


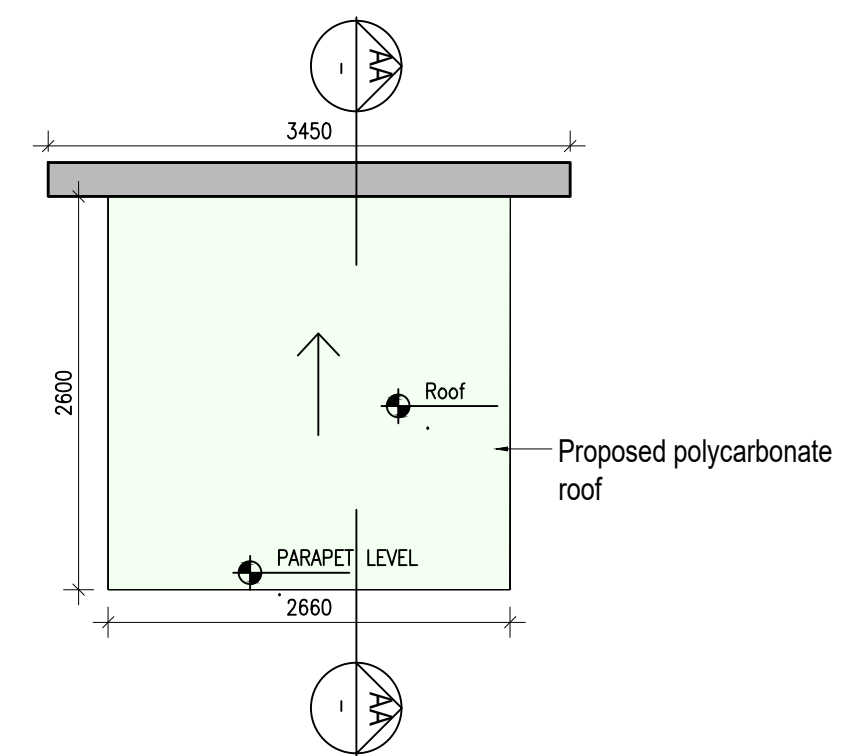
01 Proposed Covered Bicycle Parking Type 1 - Ground Plan  
1:50@A1



02 Proposed Covered Bicycle Parking Type 1 - Roof Plan  
1:50@A1

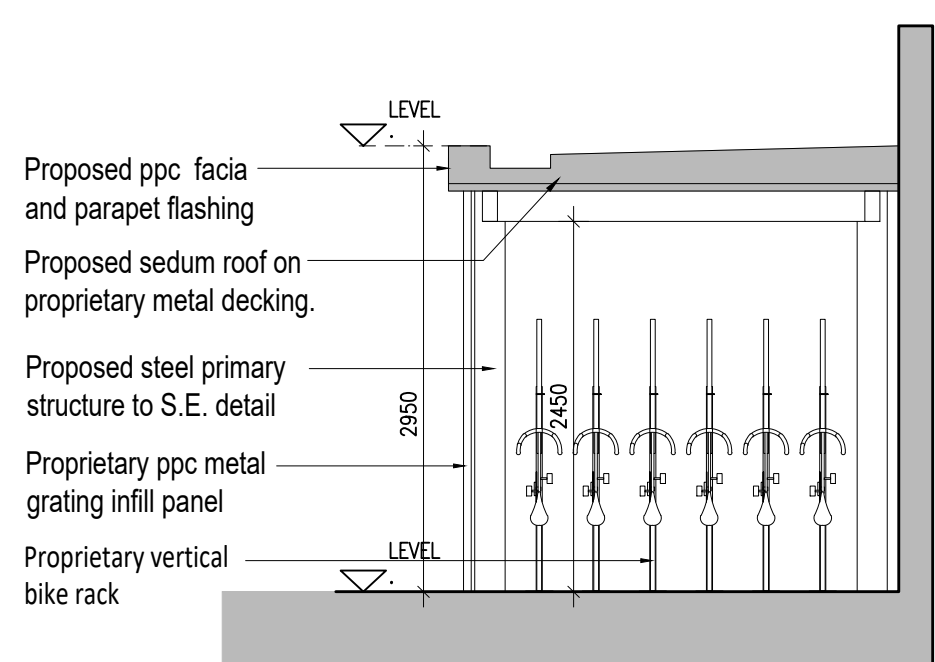


03 Proposed Covered Bicycle Parking Type 2 - Ground Plan  
1:50@A1

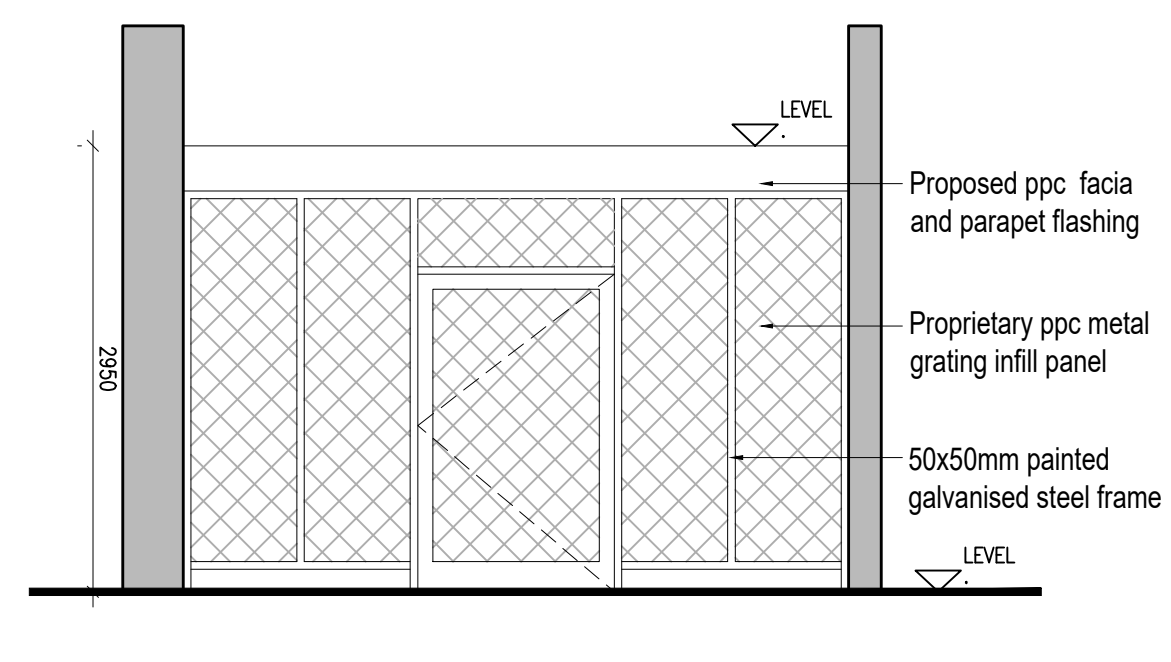


04 Proposed Covered Bicycle Parking Type 2 - Roof Plan  
1:50@A1

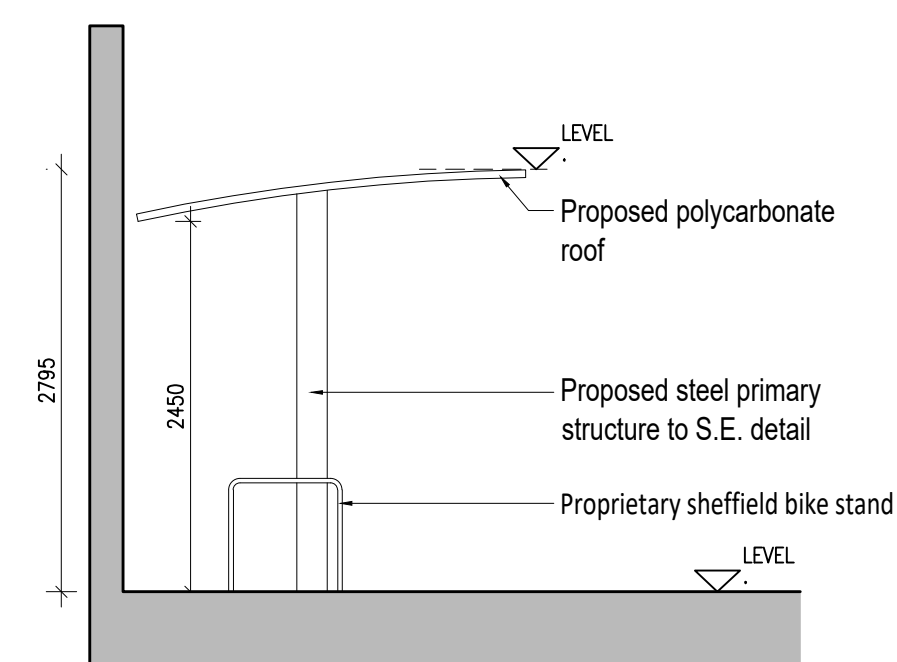
RESIDENT BIKE PARKING - BLOCKS 1, 2 + 3



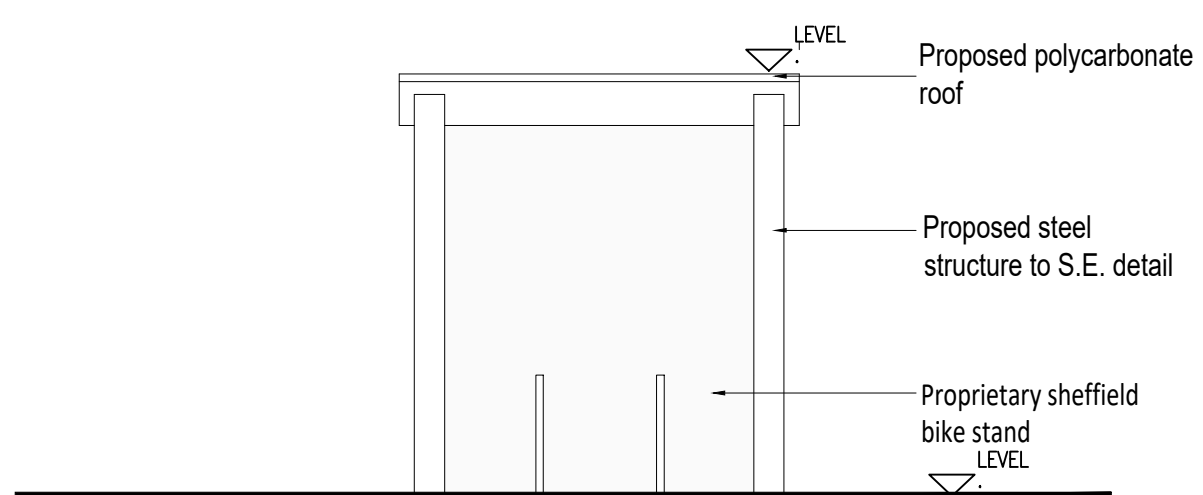
05 Proposed Covered Bicycle Parking Type 1 - Section A-A  
1:50@A1



06 Proposed Covered Bicycle Parking Type 1 - Front Elevation  
1:50@A1



07 Proposed Covered Bicycle Parking Type 2 - Section A-A  
1:50@A1



08 Proposed Covered Bicycle Parking Type 2 - Front Elevation  
1:50@A1



09 Keyplan  
1:500@A1

RESIDENT BIKE PARKING - BLOCKS 1 + 2

Notes	Issue Status
1. Copyright Reserved	
2. Work to signed dimensions only. Do not scale drawing	
3. The contractor is responsible for checking all levels and dimensions on site and shall refer all discrepancies to the Architect	
4. Where appropriate, for details of r.c. structure, or mechanical and electrical details, see Engineers drawings	
5. Proprietary items shall be fixed in strict accordance with manufacturers instructions.	
6. Sizes of proprietary items shall be checked with manufacturer.	
7. The contractor shall be responsible for the coordination of structure, finishes and services.	
	Progress
	Planning Application
	Fire Cert
	Disability Cert
	Tender
	Construction
	As Built
	Information Only

No.	Date	Revision	Initials
01	26.11.2021	SHD PLANNING APPLICATION TO ABP	AM

Project	Portmarnock South - Phase 1D Quintain Developments Ireland Limited
Drawing Title	Typical Bicycle Shelter Details Sheet 1 of 2
Drawing No	6158B-P-200
Scale	1:50@A1
Rev	01
Drawn	AM
Date	26.11.2021

6-7 HARICOURT TERRACE, DUBLIN 2, IRELAND  
 T +353-1-618 2400 F +353-1-678 7385  
 www.bkd.ie  
**bkd**architects  
 BURKE-KENNEDY DOYLE